

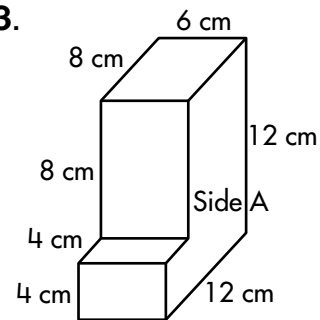
Name _____

Volume Conclusions

1. The volume of a cube is 64 cubic units. Alyse says that a rectangular prism with a length of 4 units, a width of 8 units, and a height of 2 units has the same volume. Ron says that he can think of another rectangular prism with the same volume. What could be its measurements?
-
-

Use the figure at the right to answer questions 2 and 3.

2. What is the area of Side A?
- A** 112 cm² **C** 168 cm²
B 144 cm² **D** 256 cm²
3. What is the volume of the solid figure?
- A** 72 cm³ **C** 672 cm³
B 432 cm³ **D** 864 cm³



4. Keif and Kerry want to order the figures from greatest to least according to their volume. Kerry said the order should be C, A, B. Keif said the order should be C, B, A. Who is correct? What is the volume of each?

